

78907DMI01



PROGETTO/job:

TITOLO/title:

PARTE/item:

DOC.N.

78907DMI01

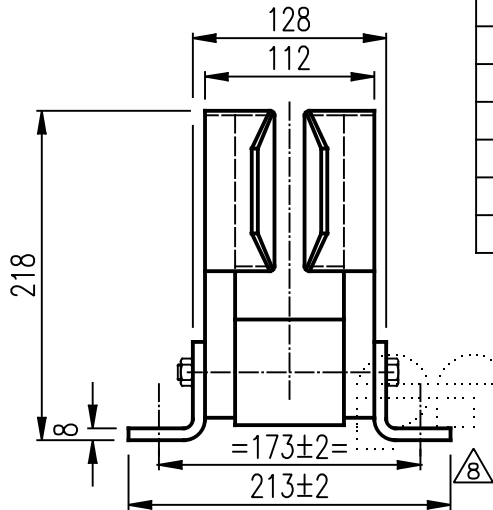
STANDARD

MAGNET YOKE 8+8

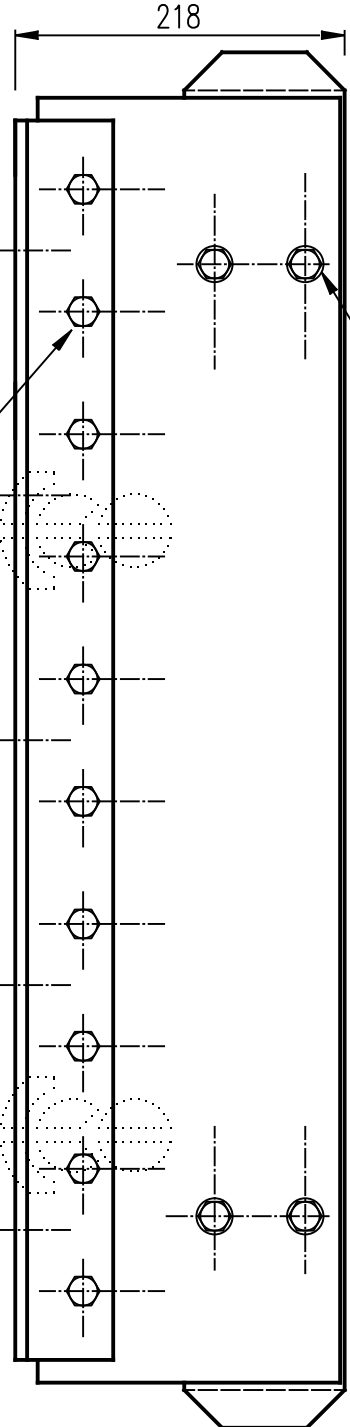
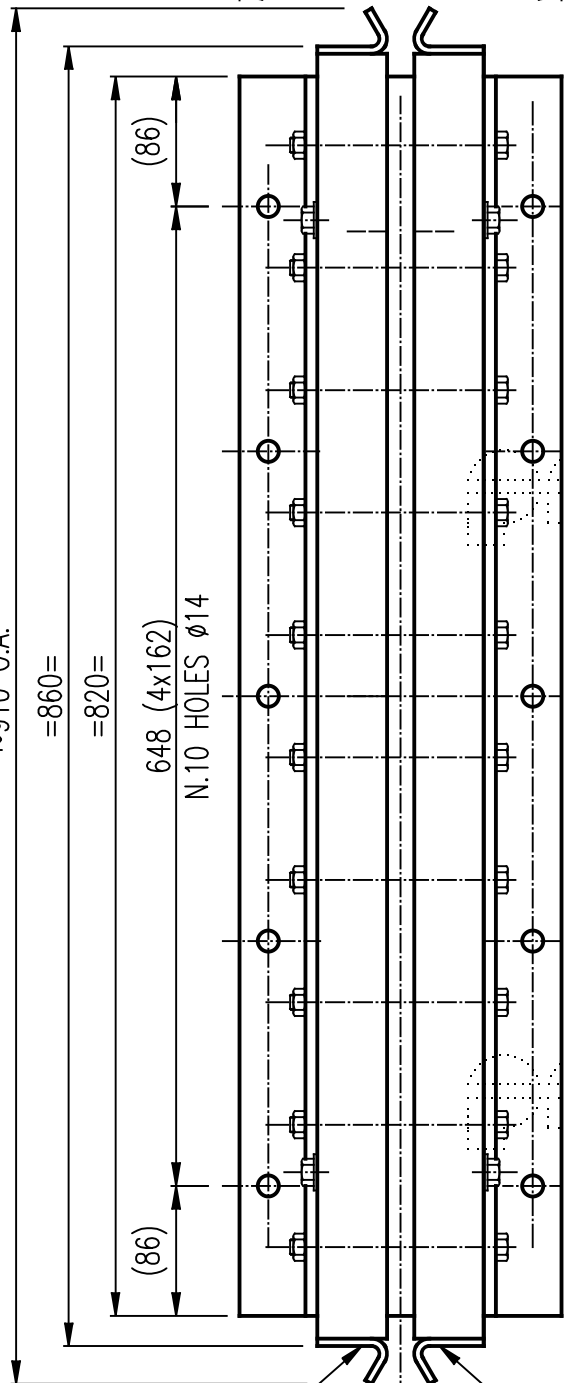
OUTLINE

SCALA 1:5

Rev.	Data	Dis/by	Appr.
5	4/7/13	FP	PREXCO
6	2/3/15	FP	PREXCO
7	21/12/15	FP	PREXCO
8	7/4/16	FP	PREXCO



- 1 WEIGHT: 115 KG
- 2 FINISH: STRUCTURE HOT DIP GALV., MAGNETS RESIN COATED IN SS BOX
- 3 N.10 SCREWS M12: DO NOT UNTIGHTEN!
- 4 N.4+4 SCREWS M12x20+WASHER, CAN BE USED FOR LIFTING. AFTER ASSEMBLY LIGHTLY TIGHTEN WITH THREADLOCK. DO NOT USE LONGER SCREWS!



NOTE: 3

NOTE: 4

MARKINGS

